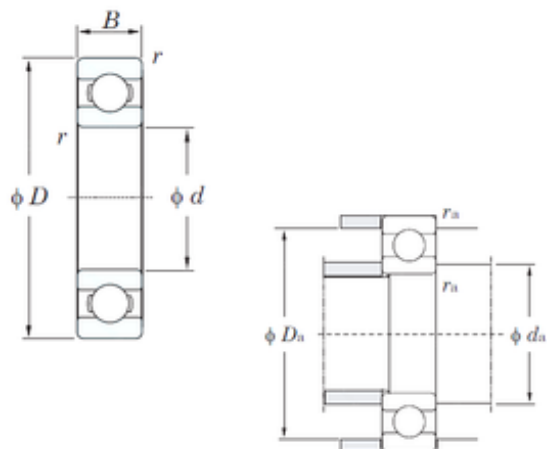




BEARING DRIVESHAFT ANDERSON, INC.



NTN NSK NMB SKF Timken Koyo Deep Groove Ball Bearing for Electric Bikes 6309 6010 6300 6206 6301 6204 6902 600 Zz1009 R8zz 16101/W64 61892

Bearing No. 6309

Size	45x100x25 mm
Bore Diameter	45 mm
Outer Diameter	100 mm
Width	25 mm
d	45 mm
D	100 mm
B	25 mm
C	25 mm
r min.	1,5 mm
da min.	53 mm
Da max.	92 mm
ra max.	1,5 mm
Weight	0,833 Kg
Basic dynamic load rating (C)	48,9 kN
Basic static load rating (C0)	29,5 kN
(Grease) Lubrication Speed	6800 r/min
(Oil) Lubrication Speed	8100 r/min
Category	Single Row Ball Bearings
Inventory	0.0
Manufacturer Name	KOYO
Minimum Buy Quantity	N/A
Weight / Kilogram	0.912
EAN	0605790076534

6309 Bearing 2D drawings and 3D CAD models



BEARING DRIVESHAFT ANDERSON, INC.

Product Group	B00308
Enclosure	Open
Precision Class	ABEC 1 ISO P0
Maximum Capacity / Filling Slot	No
Rolling Element	Ball Bearing
Snap Ring	No
Internal Special Features	No
Cage Material	Steel
Internal Clearance	C0-Medium
Inch - Metric	Metric
Long Description	45MM Bore; 100MM Outside Diameter; 25MM Outer Race Diameter; Open; Ball Bearing; ABEC 1 ISO P0; No Filling Slot; No Snap Ring; No Internal Special Features
Category	Single Row Ball Bearing
UNSPSC	31171504
Harmonized Tariff Code	8482.10.50.68
Noun	Bearing
Keyword String	Ball
Manufacturer URL	http://www.koyousa.com
Manufacturer Item Number	6309
Weight / LBS	2.008
Bore	1.772 Inch 45 Millimeter
Outside Diameter	3.937 Inch 100 Millimeter
Outer Race Width	0.984 Inch 25 Millimeter
Bearing No.	6309
r(min)	1.5
Cr	61.1
C0r	29.5
Cu	2.25



BEARING DRIVESHAFT ANDERSON, INC.

f0	13.3
Grease lub.	6800
Oil lub.	8100
da(min)	53
Da(max)	92
ra(max)	1.5
(Refer.) Mass(kg)	0.833