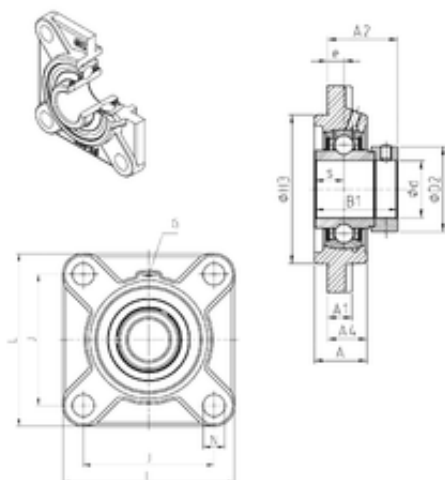




BEARING DRIVESHAFT ANDERSON, INC.



SNR EXFS313 Bearing units

Bearing No. EXFS313

Bore Diameter	65 mm
d	65 mm
H3	175 mm
A4	40 mm
e	15 mm
s	32,5 mm
A	58 mm
A1	22 mm
B1	85,7 mm
D2	97 mm
J	166 mm
L	208 mm
N	23 mm
Thread (G)	M6x1
A2	68,2 mm
Weight	9,2 Kg
Basic dynamic load rating (C)	93,86 kN

EXFS313 Bearing 2D drawings and 3D CAD models