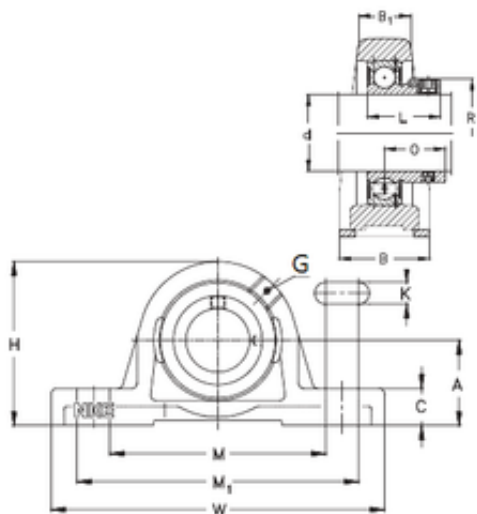




# BEARING DRIVESHAFT ANDERSON, INC.



## NKE RASE55 Bearing units

Bearing No. RASE55

Bore Diameter	55 mm
Width	60 mm
d	55 mm
O	43,6 mm
A	63,5 mm
B	60 mm
B1	35 mm
C	22,5 mm
H	124,5 mm
K	18 mm
L	71,4 mm
M	164,5 mm
M1	187,5 mm
R	76 mm
W	222 mm
Thread (G)	R1/8 "

RASE55 Bearing 2D drawings and 3D CAD models